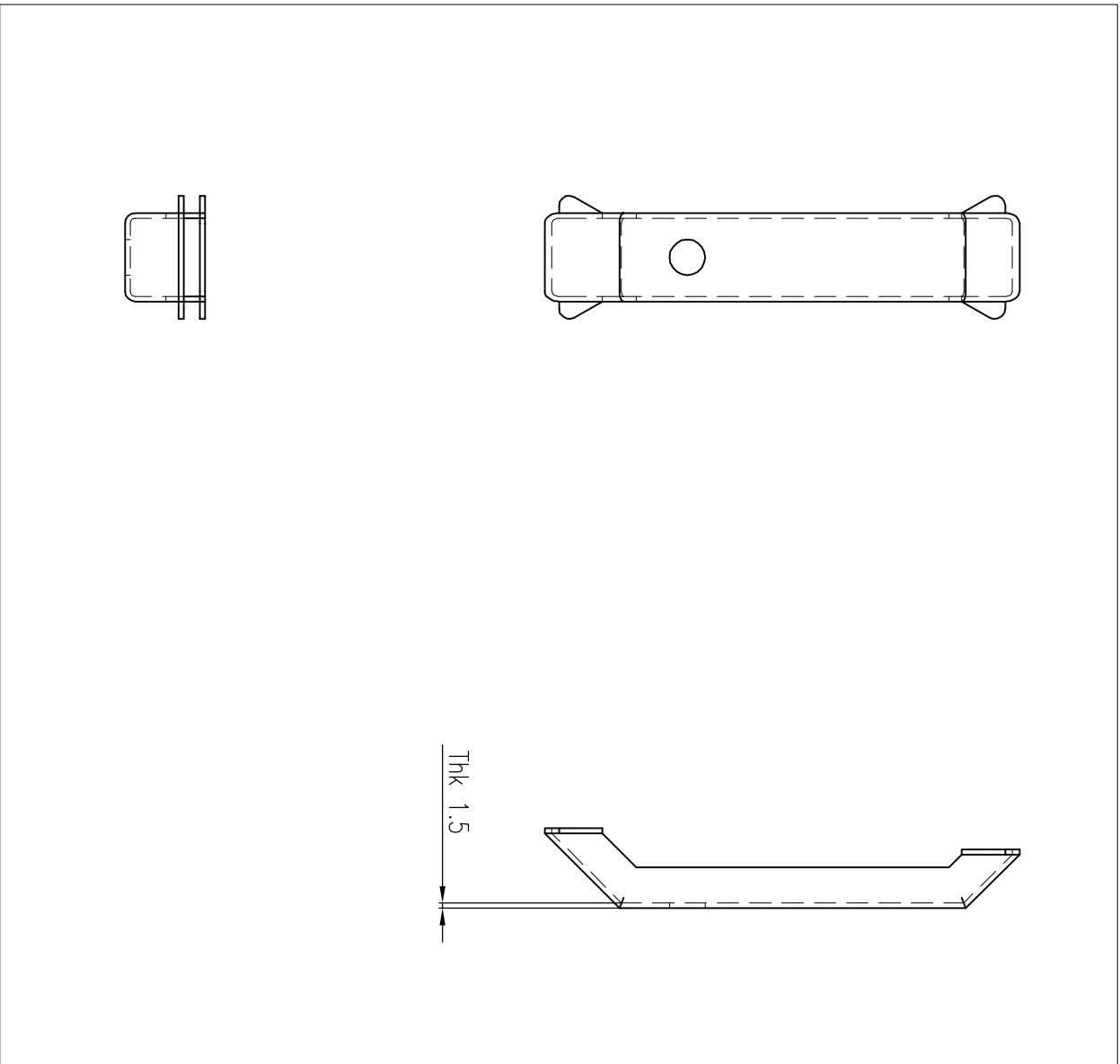


Overflow weir support (qualitative drawing)

Orthogonal views – Scale = 1:2



FRIULANACOSTRUZIONI

Isometric view – Scale = 1:1

